



ENG

TL-AU630-R

AUTO RAPID

Manual



Before using the product, please thoroughly read this manual and keep it for future reference.

Design Pat. Pending
Copyright© 2015 CATEYE Co., Ltd.
TLAU63R-150302 1



AUTOMATIC LIGHTING TAIL-LIGHT CHARACTERISTICS

- The light automatically turns on when the sensor detects light or vibrations during nighttime riding.
- The light also remains on for approximately 50 seconds after the bicycle comes to a complete stop, which provides safety when waiting for a traffic signal to change and in similar situations.

⚠ PRECAUTIONS ON USE

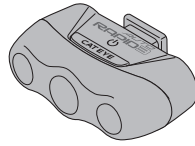
- Check periodically to ensure that the light unit is attached securely.
- Stop your bicycle to operate the switch.
- Keep the light away from children.
- This unit is not totally waterproof. Please wipe and dry it completely after using in rain. Otherwise, it may cause failure.
- If the light unit or parts become dirty with mud, etc., clean with a soft cloth which is moistened with mild soap. Never apply paint thinner, benzine or alcohol; damage will result.

⚠ PRECAUTIONS WHEN REPLACING THE BATTERY

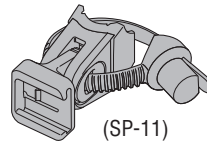
- Do not press the switch when removing or installing the lens or batteries.
- Be sure to install batteries in the correct direction.
- Install the rubber gasket correctly to maintain waterproof features.
- Remove and store batteries when you will not use the light for a long period of time. Otherwise, batteries may leak liquid, which may result in failure.

⚠ INSTALLATION PRECAUTIONS

- Be sure to tighten the dial by hand. When you tighten it too hard with a tool, the screw thread may be stripped.
- Check the bracket frequently to be sure it is properly tightened at all times.
- Round off the cut edge of the bracket strap to prevent injury.



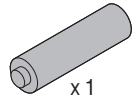
Light unit



FlexTight™ bracket (SP-11)

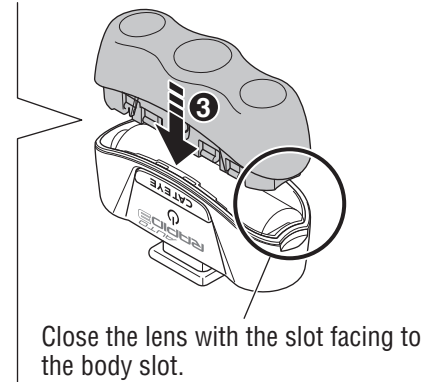
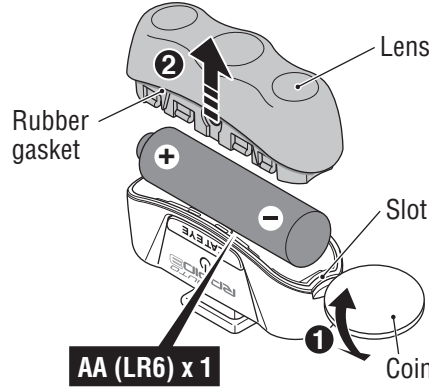


Dial

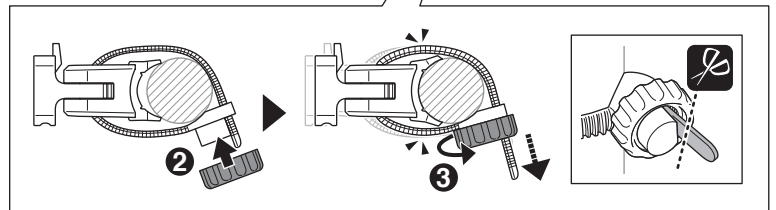
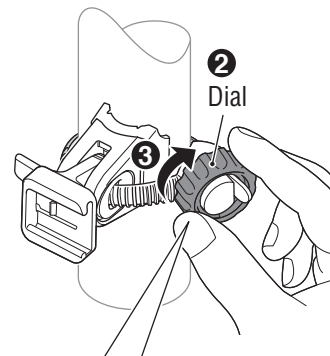
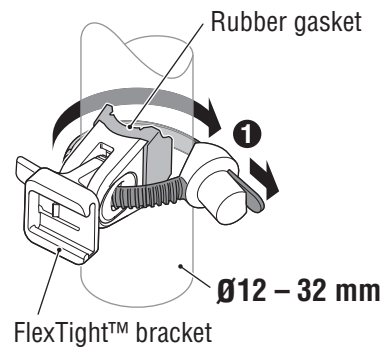


AA dry-cell battery x 1

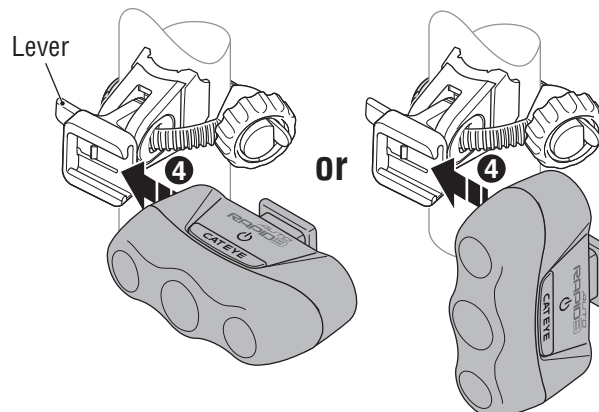
1 HOW TO INSTALL BATTERY



2 HOW TO MOUNT



Attach securely in the mounting position.



3 HOW TO USE

Press and hold the switch to turn the power on or off.
When the power turns off, the LED flashes three times.

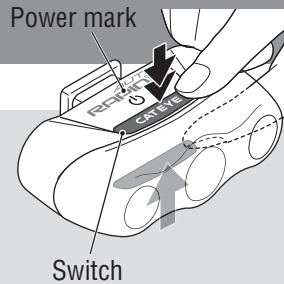
OFF

↑ Press and hold

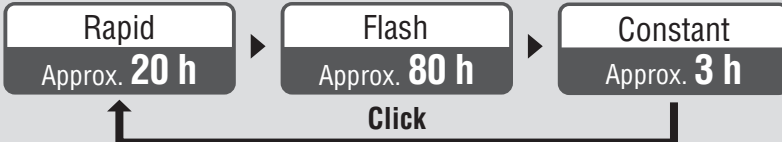
ON

The light automatically turns on or off when the sensor detects light or vibrations.

* If the light does not turn on automatically, the battery is dead.



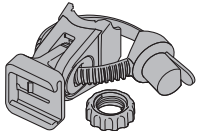
Lighting mode switch



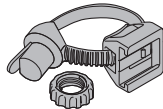
* With the product turned on and the light off, click the button to turn on the light for 5 seconds.

* The lighting mode will be recorded, and the light will turn on in this mode the next time as well.

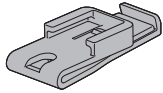
SPARE/OPTIONAL PARTS



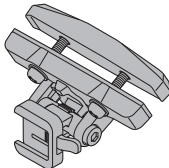
5342280
FlexTight™ bracket
(SP-11)



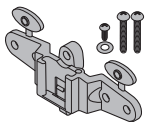
5342410
FlexTight™ bracket
(SP-12-R)



5342460
Clip
(C-2)



5446510
RM-1 bracket



5445620
Rear rack bracket



3980060
SR-2 bracket
(for fi'zi:k
ICS-compatible
saddles)

MAINTENANCE

Frequently wipe the lens clean of dirt. If the lens is extremely dirty, it will be difficult for light to reach the light sensor, which may lead to the light turning on even during the daytime.

SPECIFICATIONS

Battery : AA dry-cell battery x 1
Temperature range : 14°F – 104°F (-10°C – 40°C)
Dimensions/weight : 2-19/32" x 29/32" x 1-11/16"
(66 x 23 x 43 mm) / 1.6 oz
(44 g) (Including batteries)

* The specifications and design are subject to change without notice.

LIMITED WARRANTY

2-year Warranty: Light unit only

CatEye products are warranted to be free of defects from materials and workmanship for a period of 2 years from original purchase. If the product fails to work during normal use, CatEye will repair or replace the defect at no charge. Service must be performed by CatEye or an authorized retailer. To return the product, pack it carefully and enclose the warranty certificate (proof of purchase) with instruction for repair. Please write or type your name and address clearly on the warranty certificate. Insurance, handling and transportation charges to CatEye shall be borne by person desiring service. For UK and REPUBLIC OF IRELAND consumers, please return to the place of purchase. This does not affect your statutory rights.

Please register your CatEye product on the website.
<http://www.cateye.com/en/support/regist/>

CAT EYE CO., LTD.

2-8-25, Kuwazu, Higashi Sumiyoshi-ku, Osaka
546-0041 Japan

Attn: CATEYE Customer Service Section

Phone : (06)6719-6863

Fax : (06)6719-6033

E-mail : support@cateye.co.jp

URL : <http://www.cateye.com>

[For US Customers]

CATEYE AMERICA, INC.

2825 Wilderness Place Suite 1200, Boulder CO
80301-5494 USA

Phone : 303.443.4595

Toll Free : 800.5.CATEYE

Fax : 303.473.0006

E-mail : service@cateye.com